



IP-PTZ-2M-30X-IR150M

Two Megapixel 1080P HD Water-Proof IR 30X 150M PTZ-360 Network Dome Camera



Key Features

- ❖ Powerful 30x Optical Zoom
- ❖ Support Triple-streams encoding
- ❖ Max 50/60fps@720P and 22/30fps@1080P resolution
- ❖ Defog, DWDR, Wiper, Day/Night(ICR), Ultra DNR, EIS, Auto iris, Auto focus
- ❖ Multiple network monitoring: Web viewer, CMS(DSS/PSS) & DMSS
- ❖ Max 240°/s pan speed, 360° endless pan rotation
- ❖ Up to 255 presets, 5 auto scan, 8 tour, 5 pattern
- ❖ Built-in 7/2 alarm in/out
- ❖ Support Auto tracking and IVS
- ❖ Support intelligent 3D positioning with SD protocol
- ❖ Micro SD memory, IP66
- ❖ IR Distance up to 150m



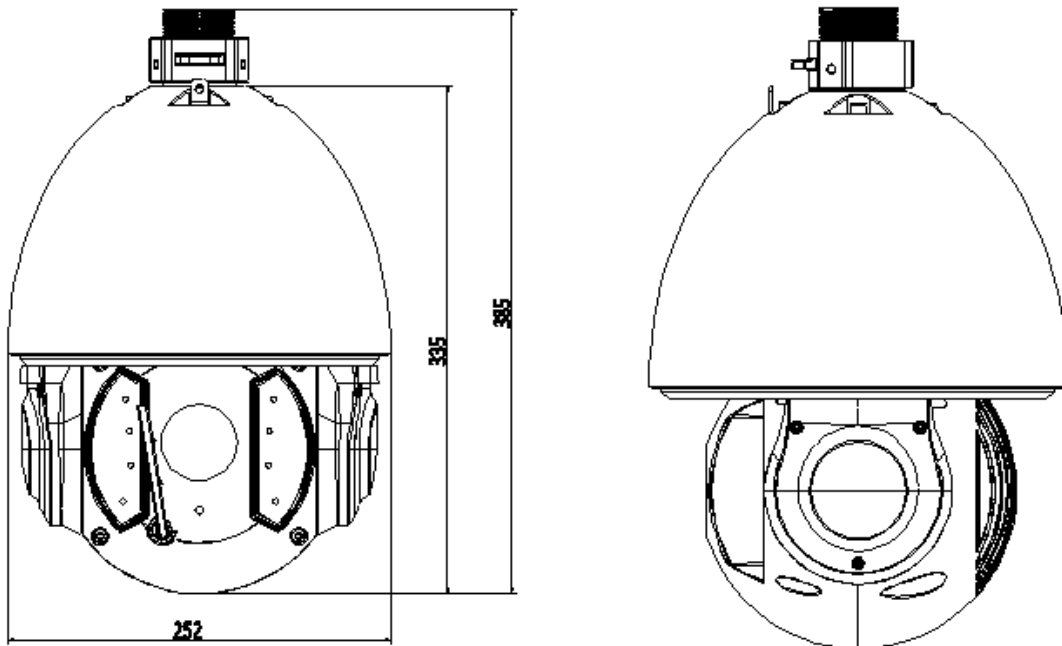
IP-PTZ-2M-30X-IR150M		
Camera		
Image Sensor	1/2.8" Exmor CMOS	
Effective Pixels	1944 (H) × 1092 (V), 2 Megapixels	
Scanning System	Progressive	
Electronic Shutter Speed	1/1 ~1/30,000s	
Min. Illumination	Color: 0.05Lux@F1.6; B/W: 0.005Lux@F1.6	
S/N Ratio	More Than 50dB	
Video Output	BNC(1.0Vp-p/75Ω), PAL / NTSC	
Camera Features		
Day/Night	Auto(ICR) / Color / B/W	
Backlight Compensation	BLC / HLC / DWDR (Digital WDR)	
White Balance	Auto, ATW, Indoor, Outdoor, Manual	
Gain Control	Auto / Manual	
Noise Reduction	Ultra DNR (2D/3D)	
Privacy Masking	Up to 24 areas	
Digital Zoom	16x	
Defog	On / Off	
Wipe	Support	
Lens		
Focal Length	4.3mm ~ 129mm (30x Optical Zoom)	
Max Aperture	F1.6 ~ F4.7	
Focus Control	Auto / Manual	
Angle of View	H: 65.1° ~ 2.34°	
Close Focus Distance	100mm ~ 1000mm	
PTZ		
Pan/Tilt Range	Pan: 0° ~ 360° endless; Tilt: - 10° ~ 90°, auto flip 180°	
Manual Control Speed	Pan: 0.1° ~ 200° /s; Tilt: 0.1° ~ 120° /s	
Preset Speed	Pan: 240° /s; Tilt: 200° /s	
Preset	80(DH-SD), 255(Pelco-P/D)	
PTZ Mode	5 Pattern, 8 Tour, Auto Pan, Auto Scan	
Speed Setup	Human-oriented focal length / Speed adaptation	
Power up Action	Auto restore to previous PTZ and lens status after power failure	
Idle Motion	Activate Preset/ Pan/ Scan/ Tour/ Pattern if there is no command in the specified period	
Time Task	Auto activation of Preset/ Pan/ Scan/ Tour/ Pattern by preset-time	
Protocol	DH-SD (Auto recognition)	
IR Distance	150m (2 near IR LED + 8 far IR LED)	
Video		
Compression	H.264 / MJPEG	
Resolution	1080P(1920x1080) / 720P(1280x720) / D1(704x576 / 704x480) / CIF(352x288 / 352x240)	
Frame Rate	Main Stream	1080P (1 ~ 25/30fps) / 720P (1 ~ 50/60fps)
	Sub Stream1	D1/CIF(1 ~ 25/30fps)
	Sub Stream1	720P/D1/CIF(1 ~ 25/30fps)
Bit Rate	H.264: 56K ~ 8192Kbps, MJPEG: 56k ~ 20480Kbps	
Audio		
Compression	G.711a / G.711u(32kbps)/ PCM(128kbps)	
Interface	1/1 channel In/Out	



Intelligent Function	
Auto Tracking	Single-scene, multiple-scene, panorama-scene
IVS (optional)	Tripwire, Cross Warning Zone, Perimeter Protection, Loitering Detection, Abandoned Object Detection, Missing Object Detection, Illegal parking, Fast Moving and etc
Tracking Trigger Mode	Manual / Auto (alarm triggered)
Tracking Trigger Event	Targeting, Zoom, Tracking, Recording, Snapshot, Alarm and etc.
Network	
Ethernet	RJ-45 (10/100Base-T)
Protocol	IPv4/IPv6, HTTP, HTTPS, SSL, TCP/IP, UDP, UPnP, ICMP, IGMP, SNMP, RTSP, RTP, SMTP, NTP, DHCP, DNS, PPPOE, DDNS, FTP, IP Filter, QoS, Bonjour, 802.1x
Compatibility	ONVIF PSIA CGI
Max. User Access	20 users
Smart Phone	iPhone, iPad, Android, Windows Phone
Auxiliary Interface	
Memory Slot	Micro SD, Max 64GB
Alarm	7/2 channel In/Out
General	
Power Supply	AC 24V /3A (±16%)
Power Consumption	20W, 43W (IR on, Heater on)
Working Environment	-40°C ~ 70°C, Less than 90% RH
Ingress Protection	IP66
Dimensions	Φ 252 mm × 385 mm
Weight	6.75kg

** Design and specifications and subject to change without notice

Dimensions



** Dimensional Tolerance : ± 5mm